

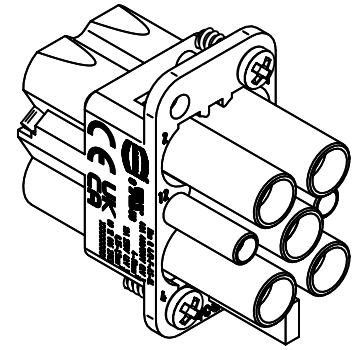
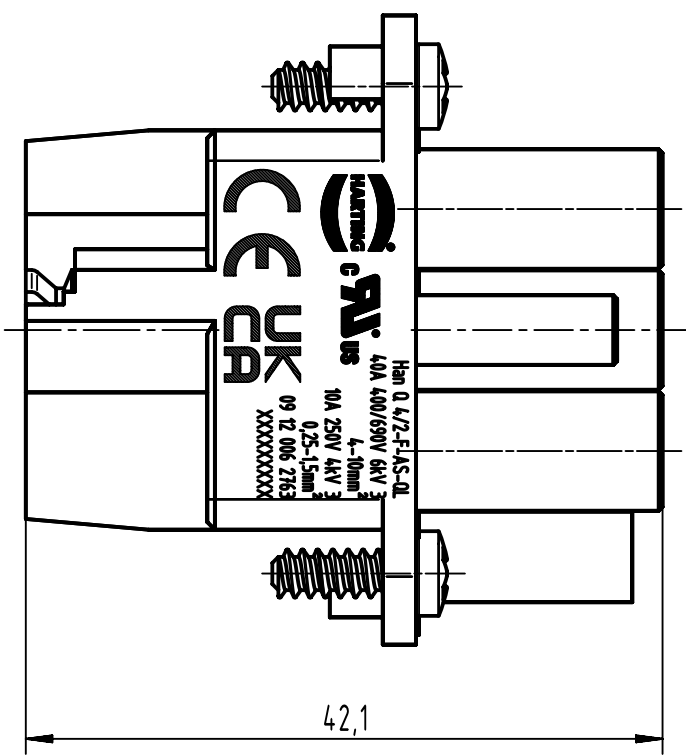
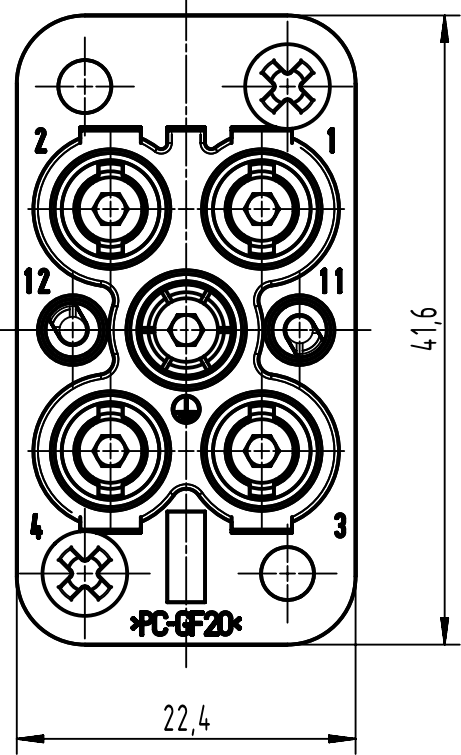
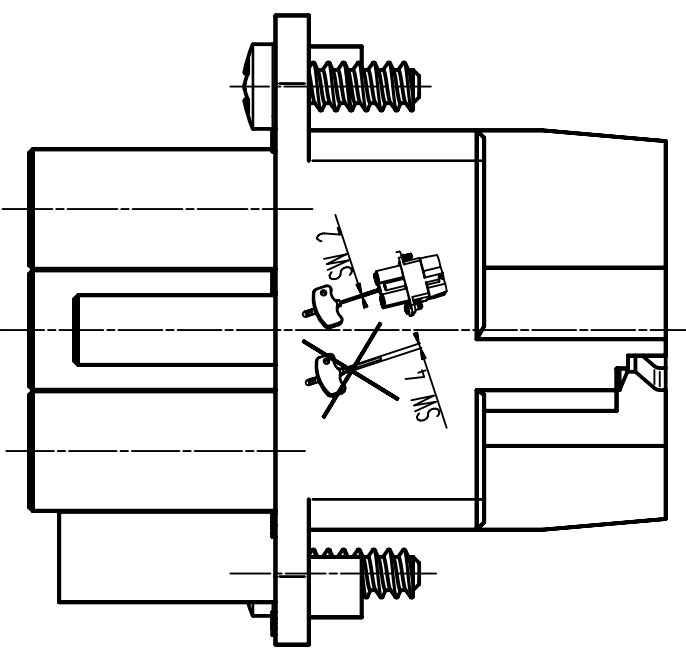
1 2 3 4 5 6

A

B

C

D



Coating	A=	mm <sup>2</sup>	V=	mm <sup>3</sup>	m=	g	Mat.
	All Dimensions in mm Original Size DIN A4		Scale 2:1	Free size tol.			Ref.
	All rights reserved Department EL PD		Created by 100887	Inspected by SUNDERMEIER	Standardisation	Date 2022-10-28	State Final Release
HARTING D-32339 Espelkamp			Title Han Q 4/2female insert with Quick Lock			Doc-Key / ECM-Nr. 100191828/UGD/006/D 500000225850	
			Type TB	Number 09 12 006 2763			Rev. D Page 1/1